

ECS SERIES

Low temperature

Bitzer Compressor

Open condensing units with air condenser and semi-hermetic compressor



- Galvanized and painted in RAL7035 base
- Semi-hermetic compressor
- Air condenser unit with 4 poles fans 230/1
- Vibration absorber on discharge line
- Liquid receiver
- Differential oil pressure switch (where provided)
- Without any wiring



ECS MODEL	Voltage 400V 3N 50Hz																							
	Compressor				EN12900					Dimensions and weight				Condenser data				Technical data						
	Nr	Hp	Kind	Model	Cooling capacity * -30+45°C [kW]	L [mm]	W [mm]	H [mm]	Weight [kg]	Fans			Surface		Liquid receiver [lit]	Connections		PED category	Sound Power [dB(A)]	Sound Pressure** [Lp(A)]				
										Nr	Ø [mm]	Air Flow [m³/h]	Primary [m²]	Secondary [m²]		Suction [mm]	Liquid [mm]							
1L-BD-1x010.02	1	1	SH	2HES-1Y	1,07	800	630	664	86	1	350	2080	7,52	0,463	3	12	10	I	69,6	41,6				
1L-BD-1x015.02	1	1,5	SH	2FES-2Y	1,63	800	630	664	87	1	350	2080	7,52	0,463	3	16	10	I	69,9	41,9				
1L-BD-1x020.02	1	2	SH	2DES-2Y	2,60	1050	760	664	130	1	350	1780	11,3	0,695	3	18	10	I	71,5	43,5				
1L-BD-1x030.02	1	3	SH	2CES-3Y	3,32	1050	760	664	133	1	350	1780	11,3	0,695	5	22	12	I	72,1	44,1				
1L-BD-1x040.02	1	4	SH	4EES-4Y	4,54	1050	760	764	158	1	450	4910	13,5	0,833	5	28	12	I	74,1	46,1				
1L-BD-1x050.02	1	5	SH	4DES-5Y	5,42	1050	760	764	160	1	450	4910	13,5	0,833	5	28	12	I	75,6	47,6				
1L-BD-1x060.02	1	6	SH	4CES-6Y	6,43	1050	760	764	175	1	450	4050	28,1	1,25	5	28	12	I	77,2	49,2				
1L-BD-1x075.02	1	7,5	SH	4TES-9Y	7,76	1780	850	1064	278	1	500	8210	40,6	2,5	12	35	12	II	80,1	52,1				
1L-BD-1x100.02	1	10	SH	4PES-12Y	8,41	1780	850	1064	284	1	500	8210	40,6	2,5	12	35	16	II	80,9	52,9				
1L-BD-1x120.02	1	12	SH	4NES-14Y	10,52	1780	850	1064	286	1	500	8210	40,6	2,5	12	35	16	II	83,4	55,4				
1L-BD-1x150.02	1	15	SH	4HE-18Y	15,32	1780	1000	1064	363	1	500	7890	60,9	3,75	18	42	16	II	81,8	53,8				
2L-BD-1x200.02	1	20	SH	4GE-23Y	18,24	1780	1000	1064	367	2	450	10510	60,9	3,75	18	42	18	II	86,6	58,6				
2L-BD-1x250.02	1	25	SH	6HE-28Y	22,60	1780	1000	1064	432	2	500	13880	76,1	4,69	24,5	54	18	II	89,7	61,7				
4L-BD-1x300.02	1	30	SH	6GE-34Y	27,80	2000	1100	1314	484	4	450	20320	111	6,89	24,5	54	22	II	89,6	61,6				
4L-BD-1x400.02	1	40	SH	6FE-44Y	32,80	2000	1100	1314	499	4	450	20320	111	6,89	24,5	54	22	II	90,5	62,5				

* Capacity according to EN 12900:
 - Suction gas temperature 20k
 - Subcooling 0k
 - External air temperature 32°C

** Sound pressure calculated at 10 meters from unit and 1 meter high in free field at nominal working conditions



ECS SERIES

Low temperature

Bitzer Compressor

Open condensing units with air condenser and semi-hermetic compressor



PERFORMANCES

Temperature		ECS ...L-BD 1X Compressor BITZER														
Evaporation	Ambient	Cooling capacity in according to EN 12900 - LOW TEMPERATURE														
[te]	[ta]	010	015	020	030	040	050	060	075	100	120	150	200	250	300	400
-15°C	20°C	2,20	3,36	5,35	6,84	9,35	11,16	13,24	15,98	17,31	21,66	31,54	37,55	46,53	57,24	67,53
	25°C	2,06	3,13	5,00	6,38	8,73	10,42	12,36	14,92	16,17	20,23	29,46	35,07	43,46	53,45	63,07
	30°C	1,90	2,89	4,62	5,90	8,06	9,62	11,42	13,78	14,93	18,68	27,20	32,39	40,13	49,37	58,24
	35°C	1,73	2,64	4,22	5,38	7,36	8,79	10,43	12,58	13,64	17,06	24,84	29,57	36,64	45,07	53,18
	38°C	nd	nd	nd	nd	nd	nd	nd	nd	nd	nd	nd	nd	nd	nd	nd
	40°C	nd	nd	nd	nd	nd	nd	nd	nd	nd	nd	nd	nd	nd	nd	nd
	43°C	nd	nd	nd	nd	nd	nd	nd	nd	nd	nd	nd	nd	nd	nd	nd
-20°C	20°C	1,87	2,85	4,55	5,81	7,95	9,49	11,25	13,58	14,72	18,41	26,81	31,92	39,55	48,65	57,40
	25°C	1,75	2,66	4,24	5,42	7,41	8,85	10,50	12,67	13,73	17,17	25,01	29,77	36,89	45,38	53,54
	30°C	1,62	2,46	3,93	5,02	6,86	8,19	9,72	11,73	12,71	15,90	23,15	27,56	34,15	42,01	49,56
	35°C	1,48	2,25	3,59	4,59	6,28	7,49	8,89	10,73	11,63	14,54	21,18	25,21	31,24	38,43	45,34
	38°C	1,40	2,13	3,39	4,33	5,93	7,07	8,39	10,13	10,98	13,73	19,99	23,81	29,50	36,28	42,81
	40°C	nd	nd	nd	nd	nd	nd	nd	nd	nd	nd	nd	nd	nd	nd	nd
	43°C	nd	nd	nd	nd	nd	nd	nd	nd	nd	nd	nd	nd	nd	nd	nd
-25°C	20°C	1,57	2,39	3,81	4,87	6,66	7,95	9,43	11,38	12,34	15,43	22,47	26,76	33,15	40,78	48,11
	25°C	1,46	2,22	3,55	4,53	6,19	7,39	8,77	10,58	11,47	14,35	20,90	24,88	30,83	37,92	44,74
	30°C	1,35	2,06	3,28	4,19	5,73	6,83	8,11	9,79	10,61	13,27	19,32	23,00	28,50	35,06	41,36
	35°C	1,24	1,89	3,02	3,86	5,27	6,30	7,47	9,02	9,77	12,22	17,80	21,19	26,26	32,30	38,11
	38°C	1,17	1,79	2,85	3,64	4,97	5,94	7,04	8,50	9,21	11,53	16,78	19,98	24,76	30,46	35,94
	40°C	1,12	1,71	2,72	3,48	4,76	5,68	6,74	8,13	8,81	11,02	16,05	19,11	23,68	29,13	34,37
	43°C	nd	nd	nd	nd	nd	nd	nd	nd	nd	nd	nd	nd	nd	nd	nd
-30°C	20°C	1,29	1,97	3,14	4,02	5,49	6,56	7,78	9,39	10,17	12,72	18,53	22,06	27,34	33,63	39,67
	25°C	1,20	1,83	2,92	3,72	5,09	6,08	7,21	8,70	9,43	11,80	17,18	20,45	25,34	31,17	36,78
	30°C	1,11	1,69	2,70	3,44	4,71	5,62	6,67	8,05	8,72	10,91	15,88	18,91	23,43	28,82	34,01
	35°C	1,01	1,55	2,47	3,15	4,31	5,14	6,10	7,36	7,98	9,98	14,53	17,30	21,44	26,37	31,11
	38°C	0,96	1,46	2,33	2,98	4,07	4,86	5,77	6,96	7,54	9,44	13,74	16,36	20,27	24,94	29,42
	40°C	0,77	1,18	1,88	2,39	3,27	3,91	4,64	5,60	6,07	7,59	11,05	13,16	16,30	20,05	23,66
	43°C	0,71	1,08	1,72	2,20	3,00	3,58	4,25	5,13	5,56	6,96	10,13	12,06	14,95	18,39	21,69
-35°C	20°C	1,04	1,59	2,53	3,23	4,42	5,28	6,26	7,56	8,19	10,25	14,93	17,77	22,02	27,08	31,96
	25°C	0,97	1,47	2,35	3,00	4,11	4,90	5,82	7,02	7,61	9,51	13,86	16,50	20,44	25,14	29,66
	30°C	0,89	1,35	2,16	2,76	3,77	4,50	5,34	6,45	6,99	8,74	12,73	15,16	18,78	23,10	27,25
	35°C	0,68	1,04	1,66	2,13	2,91	3,47	4,12	4,97	5,38	6,73	9,81	11,67	14,47	17,79	20,99
	38°C	0,63	0,96	1,54	1,97	2,69	3,21	3,81	4,59	4,98	6,23	9,07	10,80	13,38	16,46	19,41
	40°C	0,60	0,92	1,46	1,86	2,55	3,04	3,61	4,36	4,72	5,91	8,60	10,24	12,69	15,61	18,41
	43°C	0,55	0,83	1,33	1,70	2,33	2,78	3,29	3,97	4,31	5,39	7,85	9,34	11,57	14,24	16,80
-40°C	20°C	0,82	1,25	1,99	2,54	3,47	4,14	4,92	5,93	6,43	8,04	11,72	13,95	17,28	21,26	25,08
	25°C	0,66	1,01	1,61	2,06	2,82	3,36	3,99	4,82	5,22	6,53	9,51	11,32	14,03	17,25	20,36
	30°C	0,59	0,90	1,43	1,83	2,50	2,99	3,55	4,28	4,64	5,80	8,45	10,06	12,46	15,33	18,09
	35°C	0,52	0,79	1,26	1,61	2,20	2,63	3,12	3,76	4,08	5,10	7,43	8,85	10,96	13,48	15,91
	38°C	0,48	0,73	1,16	1,48	2,02	2,41	2,86	3,45	3,74	4,68	6,82	8,12	10,06	12,38	14,60
	40°C	0,45	0,68	1,09	1,39	1,91	2,28	2,70	3,26	3,53	4,42	6,43	7,66	9,49	11,67	13,77
	43°C	0,41	0,62	1,00	1,27	1,74	2,08	2,46	2,97	3,22	4,03	5,87	6,99	8,66	10,65	12,57

* Capacity according to EN 12900:
 - Values indicated in [kW]
 - Suction gas temperature 20k
 - Subcooling 0k
 - External air temperature 32°C



ECS SERIES

Low temperature

Bitzer Compressor

Open condensing units with air condenser and semi-hermetic compressor



DIMENSIONS AND WEIGHT

ECS MODEL	Dimensions and Weight										Connections		
	Frame	Unit				Package	Unit with package					Suction (mm)	Liquid (mm)
		A (mm)	B (mm)	H (mm)	Weight (kg)		A (mm)	B (mm)	H (mm)	Weight (kg)	Volume (Mq)		
1L-BD-1x010.02	FRAME - 0	800	630	664	86	Cardboard	800	630	669	88	0,34	12	10
1L-BD-1x015.02	FRAME - 0	800	630	664	87	Cardboard	800	630	669	89	0,34	16	10
1L-BD-1x020.02	FRAME - 1	1050	760	664	130	Cardboard	1050	760	669	133	0,53	18	10
1L-BD-1x030.02	FRAME - 1	1050	760	664	133	Cardboard	1050	760	669	135	0,53	22	12
1L-BD-1x040.02	FRAME - 1.5	1050	760	764	158	Cardboard	1050	760	769	161	0,61	28	12
1L-BD-1x050.02	FRAME - 1.5	1050	760	764	160	Cardboard	1050	760	769	163	0,61	28	12
1L-BD-1x060.02	FRAME - 1.5	1050	760	764	175	Cardboard	1050	760	769	178	0,61	28	12
1L-BD-1x075.02	FRAME - 2.5	1780	850	1064	278	Wrap	1785	855	1069	286	1,63	35	12
1L-BD-1x100.02	FRAME - 2.5	1780	850	1064	284	Wrap	1785	855	1069	292	1,63	35	16
1L-BD-1x120.02	FRAME - 2.5	1780	850	1064	286	Wrap	1785	855	1069	295	1,63	35	16
1L-BD-1x150.02	FRAME - 3	1780	1000	1064	363	Wrap	1785	1005	1069	374	1,92	42	16
2L-BD-1x200.02	FRAME - 3.1	1780	1000	1064	367	Wrap	1785	1005	1069	378	1,92	42	18
2L-BD-1x250.02	FRAME - 3.1.1	1780	1000	1064	432	Wrap	1785	1005	1069	445	1,92	54	18
4L-BD-1x300.02	FRAME - 4	2000	1100	1314	484	Wrap	2005	1105	1319	498	2,92	54	22
4L-BD-1x400.02	FRAME - 4	2000	1100	1314	499	Wrap	2005	1105	1319	514	2,92	54	22



ECS SERIES

Low temperature

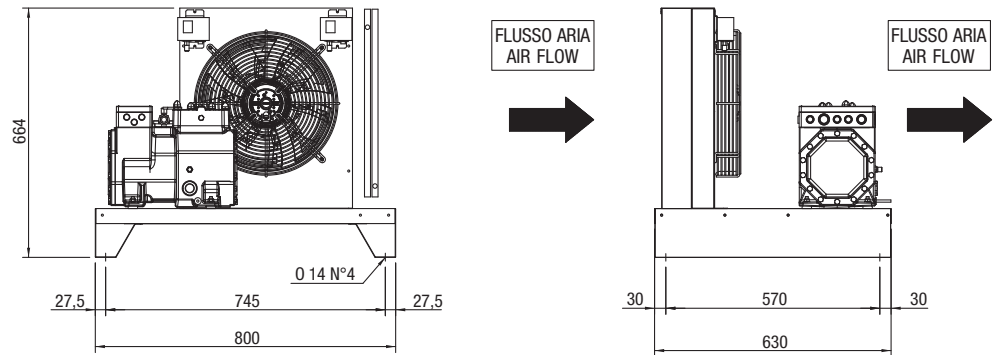
Bitzer Compressor

Open condensing units with air condenser and semi-hermetic compressor

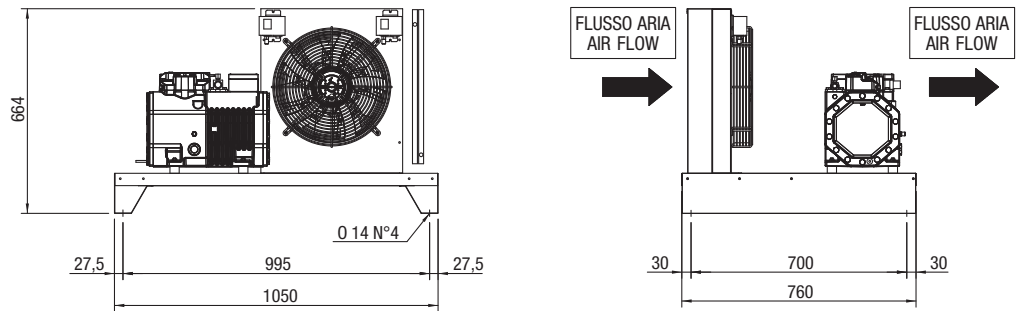


DIMENSIONALS

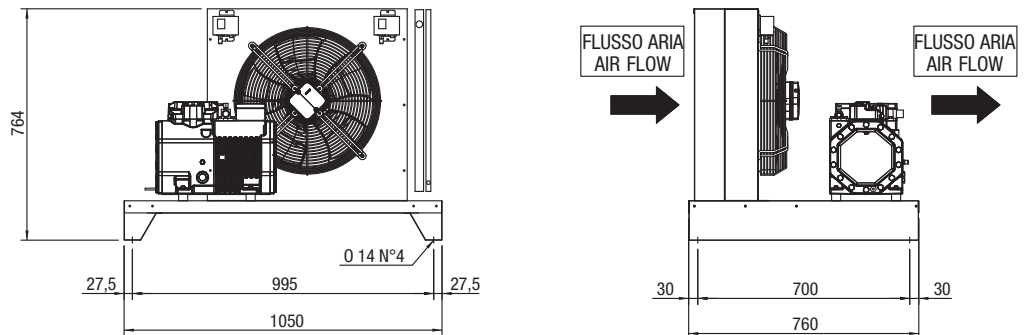
FRAME 0



FRAME 1



FRAME 1.5



ECS SERIES

Low temperature

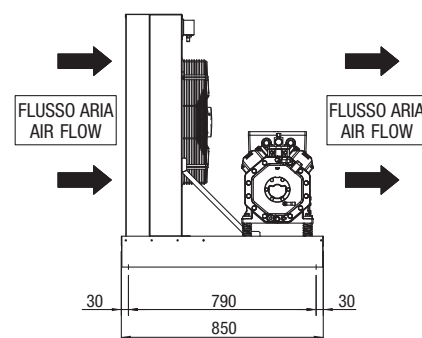
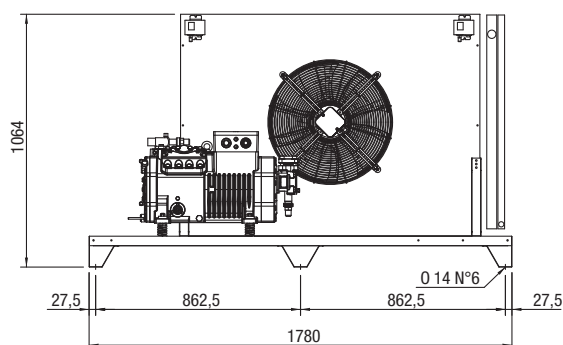
Bitzer Compressor

Open condensing units with air condenser and semi-hermetic compressor

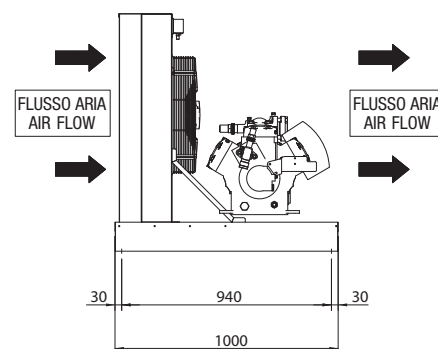
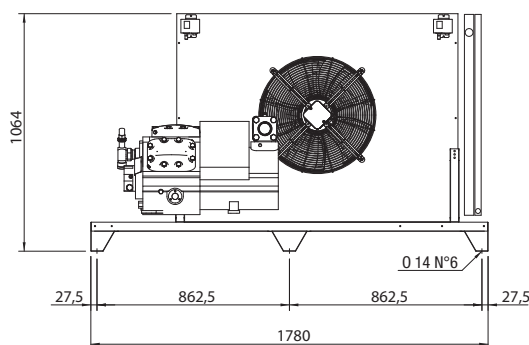


DIMENSIONALS

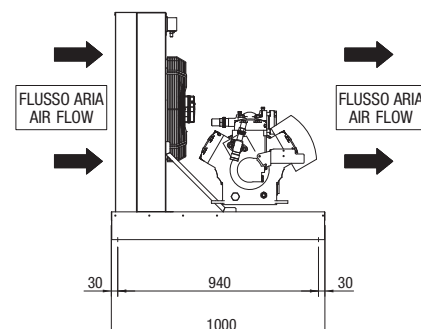
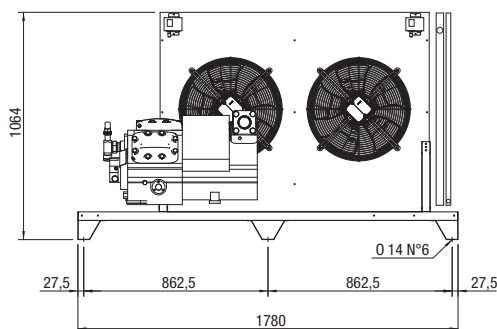
FRAME 2.5



FRAME 3



FRAME 3.1



ECS SERIES

Low temperature

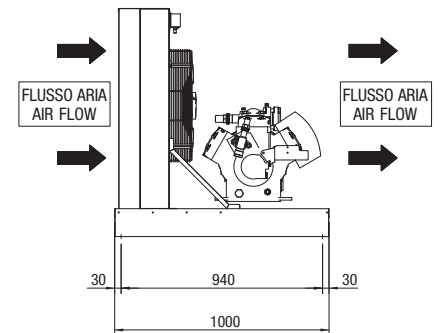
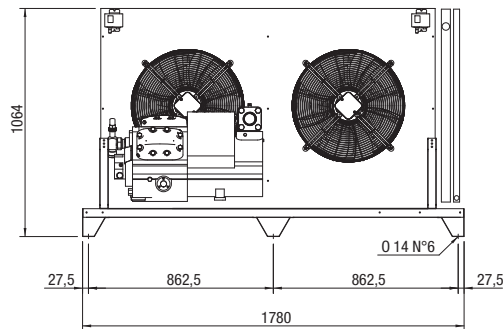
Bitzer Compressor

Open condensing units with air condenser and semi-hermetic compressor



DIMENSIONALS

FRAME 3.1.1



FRAME 4

